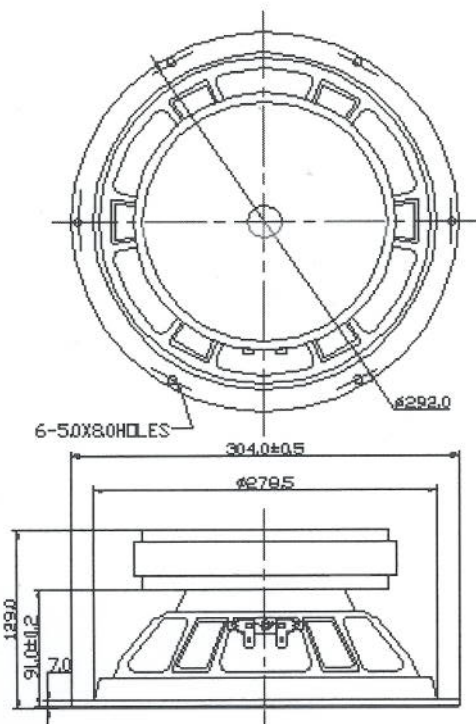




graph



Norminal Diameter	12"	300 (12)
SPL		99.0
Frequency Range		63-6800
Voice Coil Diameter		50.8 (2.0)
Voice Coil Material		Copper Flat
Magnet Weight		1.643 (57.98)
Piston Diameter		265.0 (10.43)
Magnet Gap Depth		7.0 (0.28)
Voice Coil Winding Depth		14.5 (0.57)
DC Resistance		6.2
Fs		63.0
Qts		0.1900
Qes		0.2300
Qms		1.1200
Vas		82.10 (2.90)
Sd		0.055 (85.3)
Xmas		3.5 (0.14)
Vd		192.5
Half-Space Reference Efficiency		1.52
Efficiency Bandwidth Product		274.0
Le		0.7
Cms		0.00035
BL		14.3
Rms		1.15
Overall Diameter		304.0 (11.97)
Bolt Circle Diameter		292.0 (11.50)
Baffle Cutout Diameter)		278.5 (10.96)
Depth		129.0 (5.08)
Net Weight		5.20 (11.44)