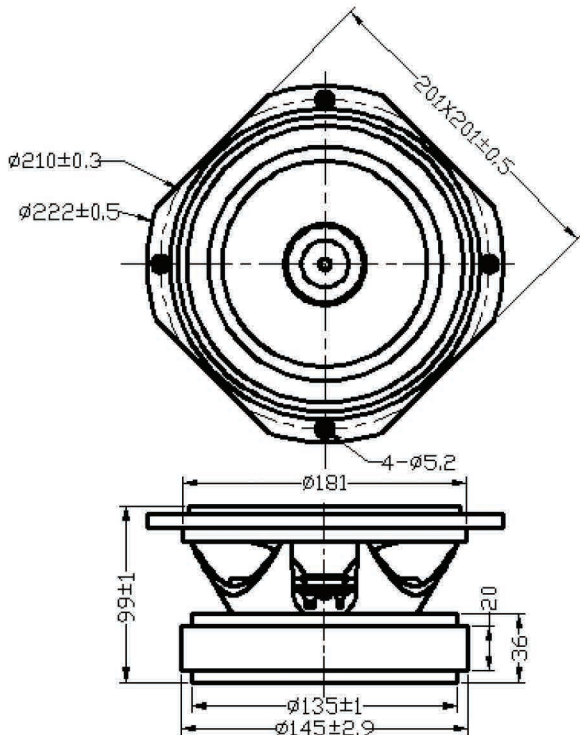


FULL RANGE SPEAKER UNIT

Response FR202



Specifications & Thiele/Small Parameters

Impedance	: 8 Ohm
Minimum Frequency Response	: 43 Hz
Reproduction Frequency Response	: Fo~18K
S.P.L.	: 95.538dB/W(m)
Rated Input	: 30 W
Music Power	: 50 W
Equivalent Diaphragm Radius	: 88 mm
Equivalent Mass	: 13.95 g
Magnet Weight	: 1455g
Net Weight	: 3690 g
Fs	: 43.786 Hz
Re	: 7.2 Ohm
Mms	: 15.675 g
BL	: 12.889TM
Qts	: 0.178
Qms	: 3.602
Qes	: 0.187
Vas	: 57.187 Ltr
Xmax	: 1.0mm
no	: 2.249%
Material	Frame : Cast
	Cone : PAPER+PRESS
	Surround : FABRIC
	Damper : CONEX
	Voice : 1.3"
Magnet	: 51.31 oz

