

# H 280

Horn - 1.4" 60°(H) x 40°(V)

**AUDIENCE**



- 1.4" Throat entry
- 60° x 40° nominal coverage
- Excellent loading down to 500 Hz
- Constant directivity

## Dimensions & Weight

Horn material	ABS Plastic
Horn finish	Black
Overall dimensions	
Mouth height	279 mm (10.98 in)
Mouth width	279 mm (10.98 in)
Length	230 mm (9.05 in)
Net weight	0.94 kg (2.07 lb)
Gross weight	1.25 kg (2.75 lb)
Carton dimensions (W x D x H)	286 x 286 x 240 mm (11.25 x 11.25 x 9.44 in)

## Mounting information

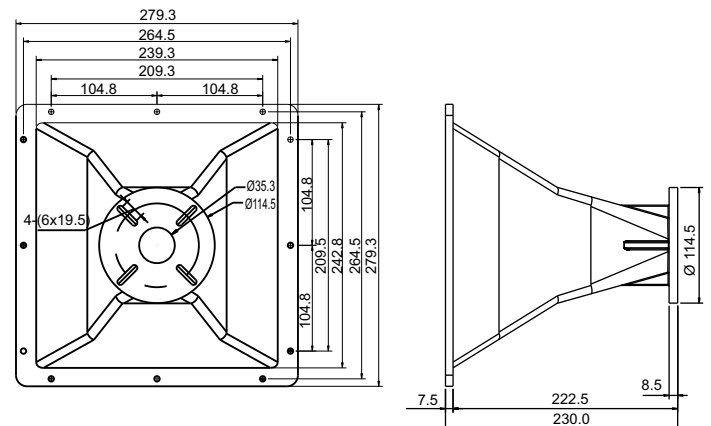
Mechanical connection of driver	Bolt on
Baffle cutout dimensions (front mount)	
Horizontal	243 mm (9.56 in)
Vertical	239 mm (9.40 in)

## Specs :

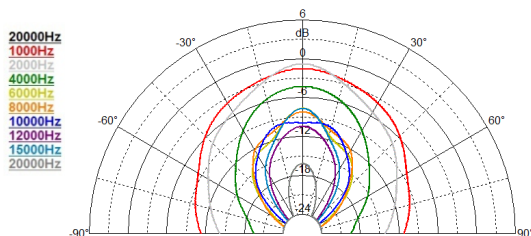
Nominal coverage	
Horizontal	60 degrees
Vertical	40 degrees
Directivity	
Directivity factor (Q)	18
Directivity index (Di)	13 dB
Sensitivity	
On driver.1W@1m, on axis <sup>1</sup>	108 dB
Frequency response @-10dB <sup>2</sup>	500 Hz - 20 kHz
Throat diameter	35.5 mm (1.4 in)
Minimum recommended crossover <sup>3</sup>	600 Hz

## NOTES :

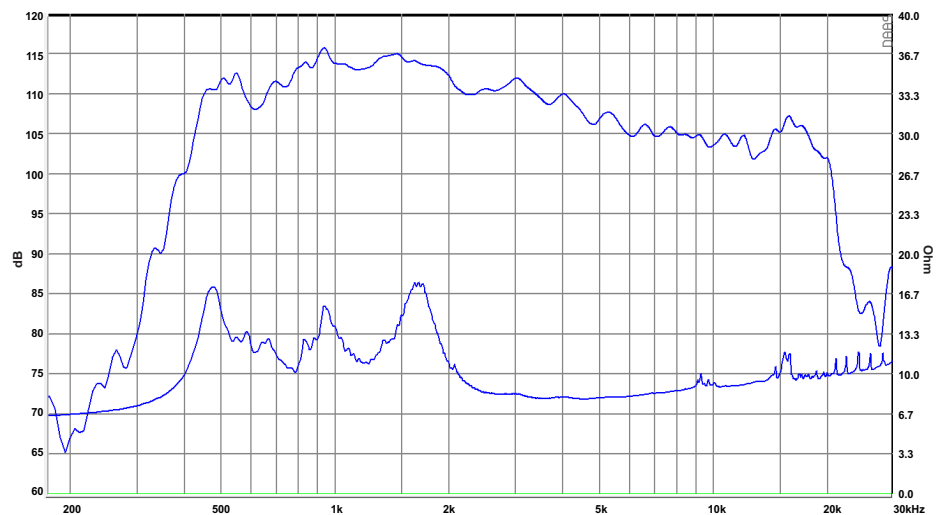
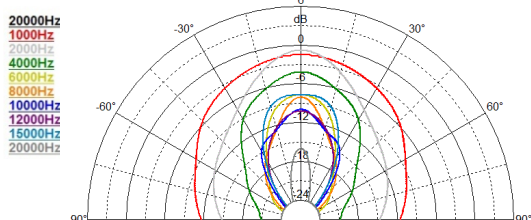
- (1) Measured with BIANCO-65CD-T driver, 1kHz - 15kHz average
- (2) Measured with BIANCO-65CD-T driver
- (3) With BIANCO-65CD-T driver



## HORIZONTAL POLAR PATTERN



## VERTICAL POLAR PATTERN



RESPONSE AND IMPEDANCE CURVES WITH BIANCO-65CD-T DRIVER, 1 W/1M