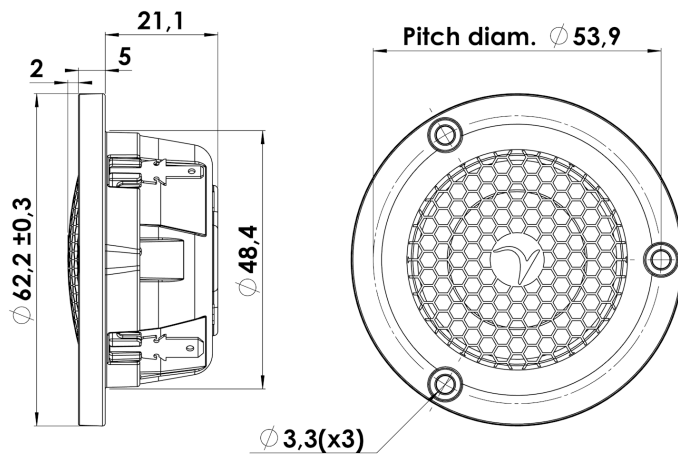




TWEETER

D3004/604005

The GOLD SERIES are specially selected units from Scan-Speak's well-known home audio speakers. Which have been upgraded and optimized for automotive use. This series enables audiophiles to experience in their vehicle the - TRUE TO LIVE - that they enjoy from their high-end home audio system.



KEY FEATURES:

- 1" Beryllium Diaphragm (99% pure Be)
- High Power Patented SD-2 magnet system
- Die Cast Housing & Face Plate
- Large Roll Surround f. wide dispersion
- Compact Non Resonant Alu Rear Champer
- Sound Transpant Protective Grill

T-S Parameters

Resonance frequency [fs]	715 Hz
Mechanical Q factor [Qms]	2.25
Electrical Q factor [Qes]	1.00
Total Q factor [Qts]	0.69
Force factor [Bl]	2.4 Tm
Mechanical resistance [Rms]	0.89 kg/s
Moving mass [Mms]	0.35 g
Compliance [Cms]	0.11 mm/N
Effective diaph. diameter [D]	30 mm
Effective piston area [Sd]	7 cm ²
Equivalent volume [Vas]	0.01 l
Sensitivity (2.83V/1m)	92.0 dB
Ratio Bl/√Re	1.43 N/√W
Ratio fs/Qts	1036 Hz

Notes:

IEC specs. refer to IEC 60268-5 third edition.
All Scan-Speak products are RoHS compliant.
Data are subject to change without notice.
Datasheet updated: January 29, 2018.

Electrical Data

Nominal impedance [Zn]	4 Ω
Minimum impedance [Zmin]	3.6 Ω
Maximum impedance [Zo]	10.9 Ω
DC resistance [Re]	2.9 Ω
Voice coil inductance [Le]	0.03 mH

Power Handling

100h RMS noise test (IEC 17.1)*	50 W
Long-term max power (IEC 17.3)*	100 W

*Filter: 2. order HP Butterworth, 2,5kHz

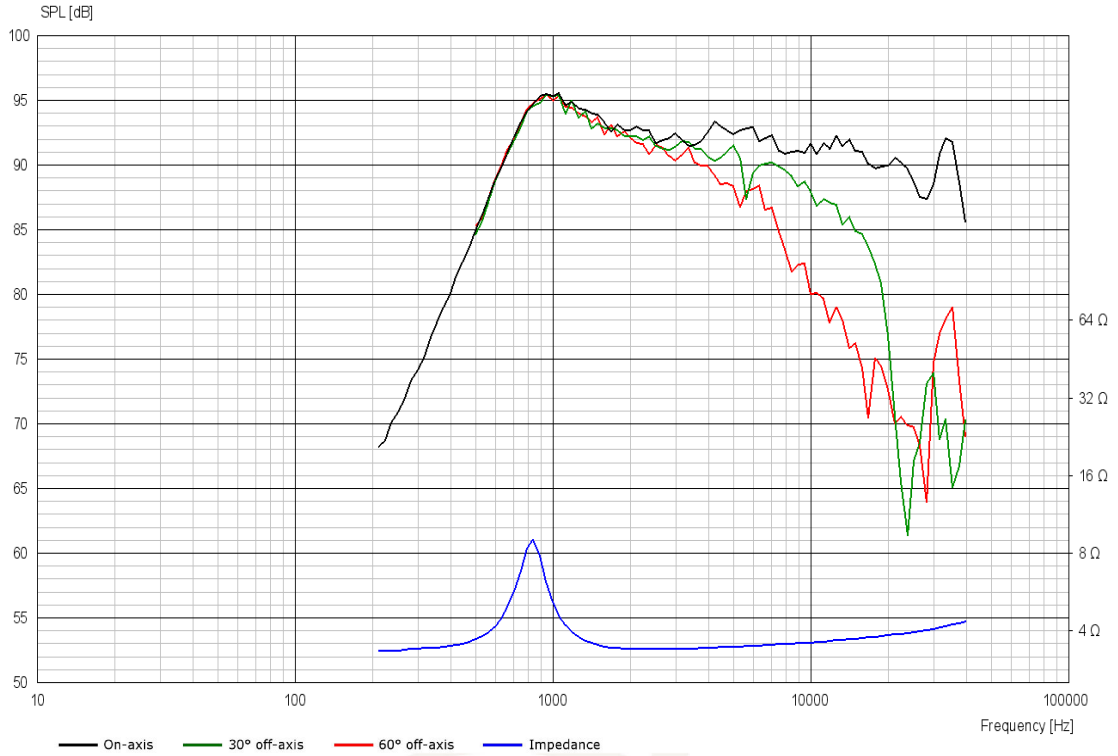
Voice Coil & Magnet Data

Voice coil diameter	26 mm
Voice coil height	2.0 mm
Voice coil layers	2
Height of gap	2.5 mm
Linear excursion	± 0.25 mm
Max mech. excursion	± 1.6 mm
Unit weight	0.15 kg



TWEETER

D3004/604005



Advanced Parameters (Preliminary)



Electrical data

Resistance [$R_{E'}$]	- Ω
Free inductance [L_{EB}]	- mH
Bound inductance [L_E]	- mH
Semi-inductance [K_E]	- SH
Shunt resistance [R_{SS}]	- Ω

Mechanical Data

Force Factor [BI]	- Tm
Moving mass [M_{MS}]	- g
Compliance [C_{MS}]	- mm/N
Mechanical resistance [R_{MS}]	- kg/s
Admittance [A_{MS}]	- mm/N